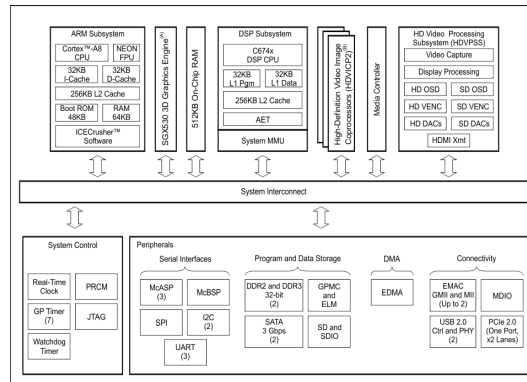




6U PROCEESOR CARD - ICS-6U02PDx

DESCRIPTION:

ICS-6U02PDx DaVinci Processor card is a High-Performance DaVinci Digital Media Processors with ARM® Cortex™-A8 RISC Processor up to 1.20 GHz, are incorporated with on-board clock source. The DaVinci processor has 512KB of On-Chip Memory Controller (OCMC), ARM Cortex-A8 Memory Architecture. 6U02PDx is featured with three Audio Codecs on board, LAN interface and mSATA HDD interface and can be connected externally. It has on-board 2Gb DDR3 RAM and 16GB SD Card Slot.



A. SDX330 is available only on the TMS320DM8168 devices.
B. Three HD video image coprocessors (HDVICP2) are available on the TMS320DM8168 and TMS320DM8167 devices; two (HDVICP2-0 and HDVICP2-1) are available on the TMS320DM8165 devices.

FEATURES:

- High-Performance DaVinci Digital Media Processors
- ARM® Cortex-A8 RISC Processor
- Up to 1.20 GHz
- Up to 8000 MIPS and 6000 MFLOPS
- Fully Software-Compatible with C67x+ and C64x+
- ARM Cortex-A8 Core
- ARMv7 Architecture
- Supports Integer and Floating Point (VFPv3-IEEE754 Compliant)
- ARM Cortex-A8 Memory Architecture
- 32-KB Instruction and Data Caches
- 256-KB L2 Cache
- 64-KB RAM, 48-KB of Boot ROM
- Two 10 Mbps, 100 Mbps, and 1000 Mbps Ethernet MACs (EMAC)

SPECIFICATIONS:

- Processor : DM8168 Processor
- Audio Codecs : 3 Nos
- Clock : 100 MHz and 27 MHz
- Flash: NAND Flash 2 Gb
- HDD : mSATA HDD (16GB)
- SD card: 16 GB
- RAM : DDR3 (2 Gb)
- Power Supply : 12 V DC
- Standards : MIL-STD-461E

INNOVATION COMMUNICATIONS SYSTEM LTD,

Survey No: 185, Door No: 1-55/11/KJ, Kalajyothi Bldg, Ground Floor, Masjid Banda, Kondapur, RR Dist
Hyderabad – 500 084 , Contact: 040-6785 5555